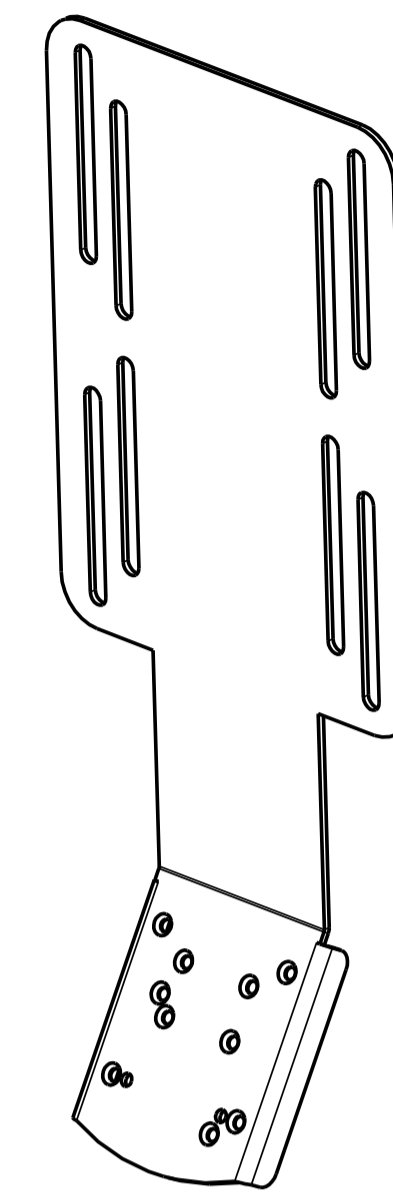
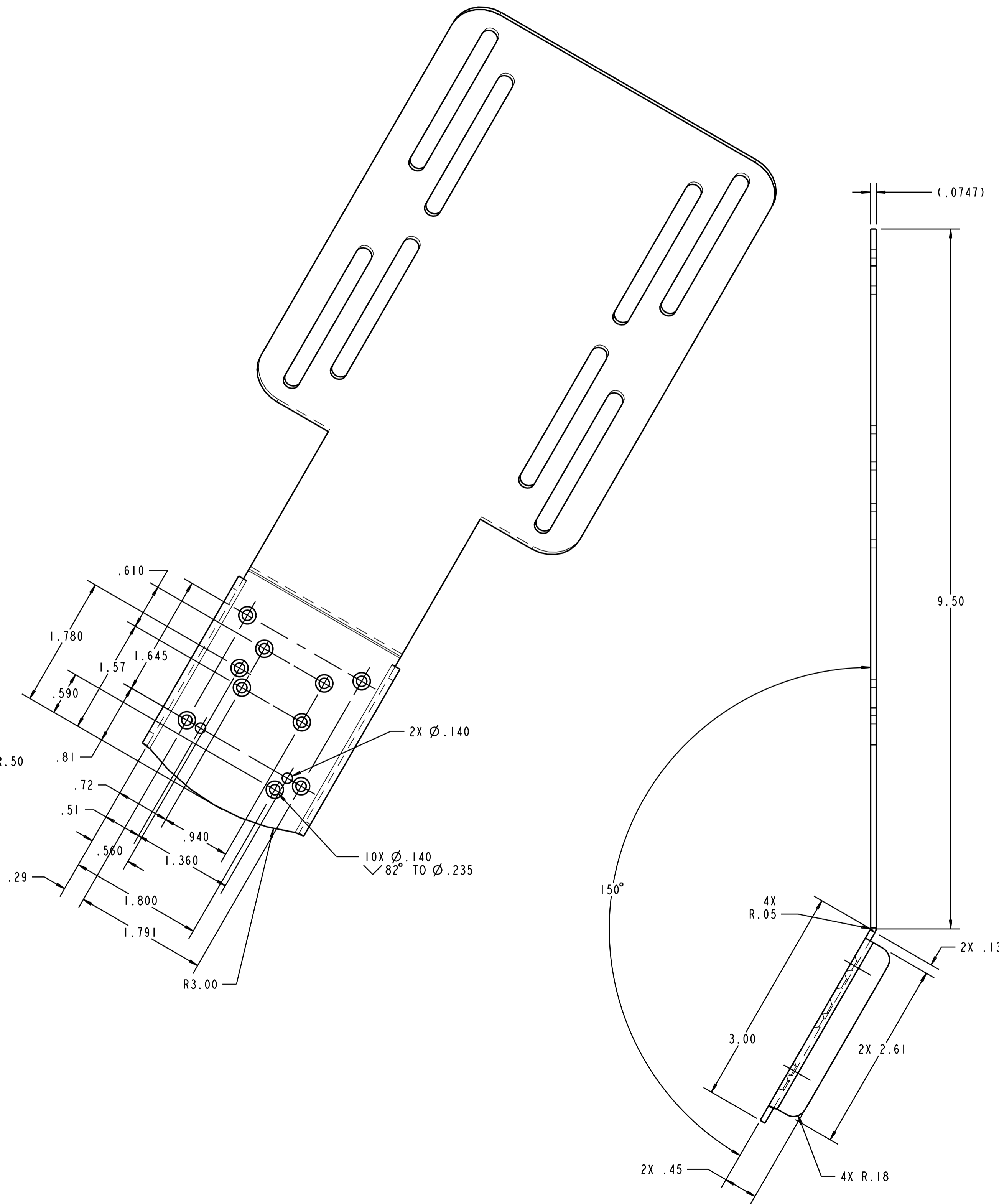
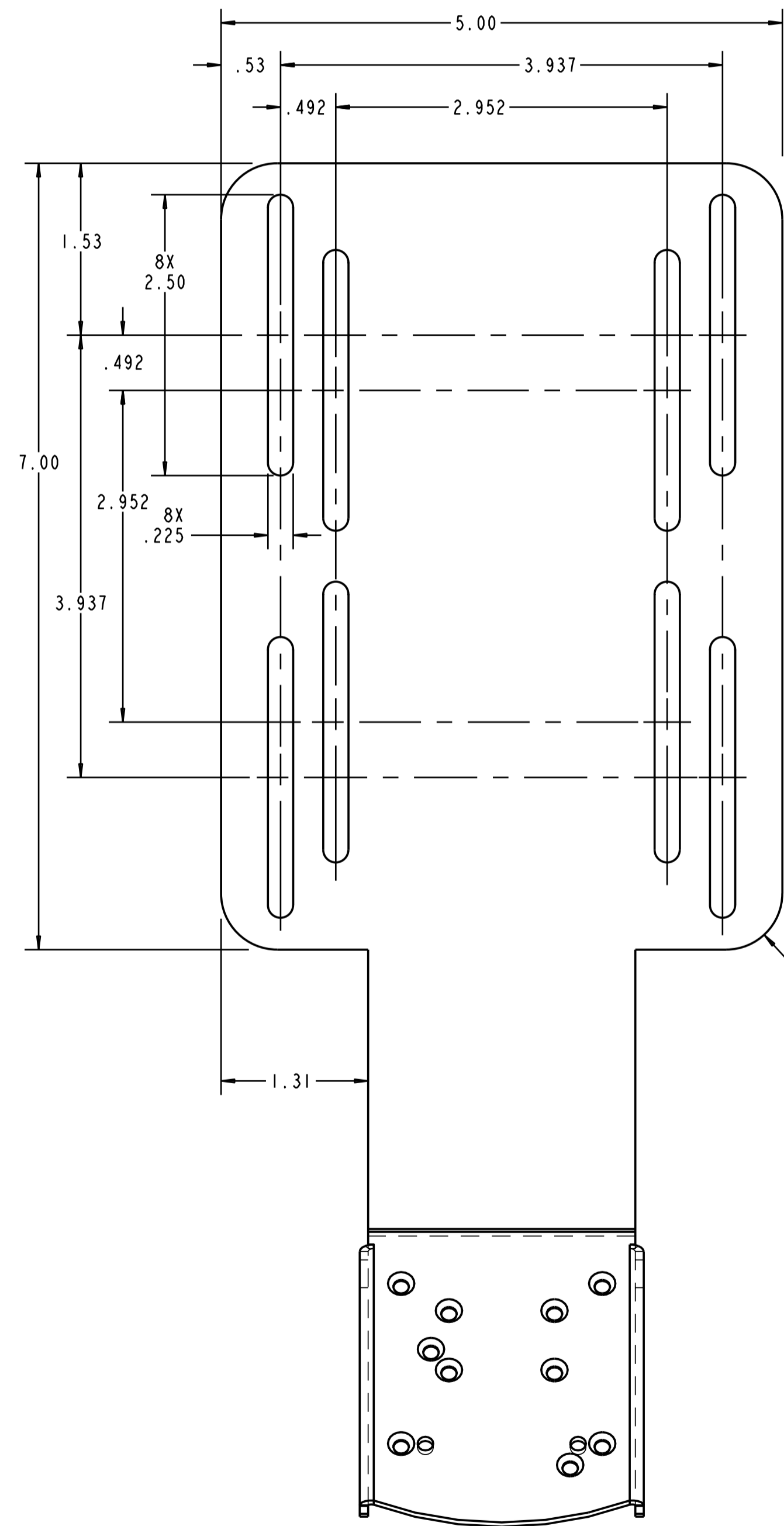
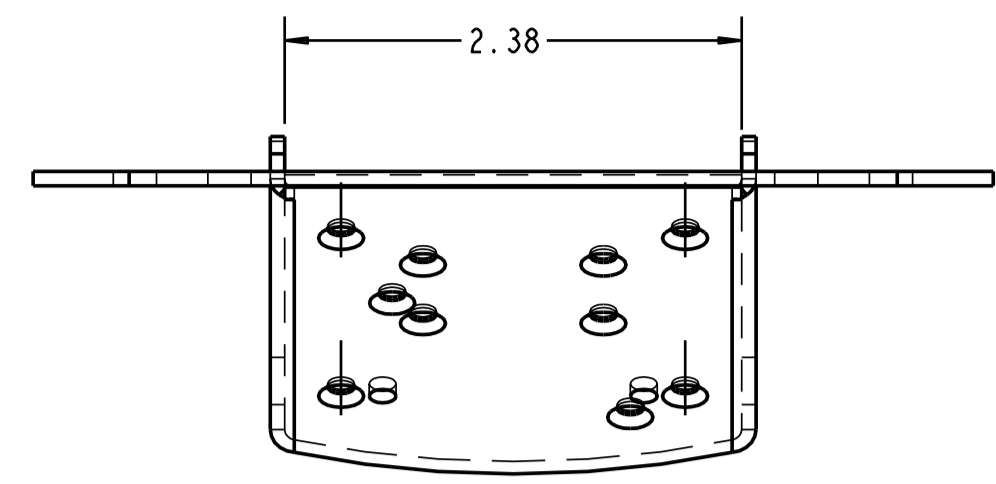


REVISIONS				
REV.	DESCRIPTION	CHK	APPD	DATE
A	RELEASE			4/25/10
B	6X $\varnothing .140$ WAS 3X			7/27/10
C	8X SLOTS WAS $\varnothing .187$ HOLES; 7.00 WAS 5.00, 9.50 WAS 8.50			10/27/10
D	5X CSK HOLES WAS 6X- CHG PATTERN DIMS, ADD 2X FLANGE 3.61 X .38			2/9/11
E	C8: 8X .225 SLOTS WAS 8X .187			1/2/13
F	C4: 2.56 WAS 4.00			11/12/14
G	B6: 6X $\varnothing .140$ X 82° WAS 5X, ADD 2X $\varnothing .140$, A4: 3.00 WAS 3.56			6/12/15
H	A4: ADD 2X .45 DIM			9/30/16
J	B6: 10X $\varnothing .140$ $\sphericalangle 82^\circ$ TO $\varnothing .235$ WAS 6X, ADD 4 AT 1.645 X 1.791			1/26/18



SCALE 0.500

- NOTES: UNLESS OTHERWISE SPECIFIED
1. MATERIAL: 14 GAUGE (.0747" THK) CRS
 2. PRIME AND PAINT PER PURCHASE ORDER
 3. BEND RADII $90^\circ \pm 1$
 4. BREAK SHARP EDGES .015R MAX

THIRD ANGLE PROJECTION TOLERANCES: 2 DEC PLCS: $\pm .015$ 3 DEC PLCS: $\pm .005$ ANGLES: $\pm 1^\circ$ DEBURR ALL EDGES	PRODUCT LINE:		INSTRUMENTS & EQUIPMENT, CO.	
	DRAWN:	S.K.	4/25/10	TITLE: BRACKET, SCANNER PODIUM MOUNT (22" MOUNT TO MONITOR)
FINISH: SEE NOTE 2	CHECKED:	APPROVED:	REV: J	41001056
MATL: SEE NOTE 1	ISSUED:		C	SCALE: 1/1 SHEET 1 OF 1